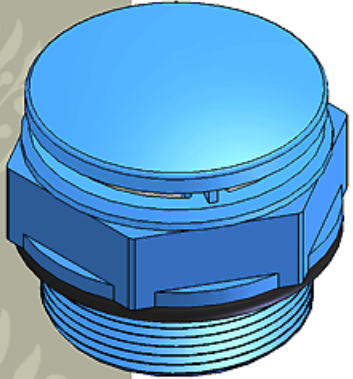


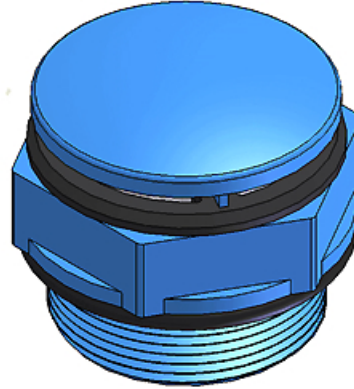


CUSTOM PLASTICS VENT VALVE COLOR SCHEMATIC

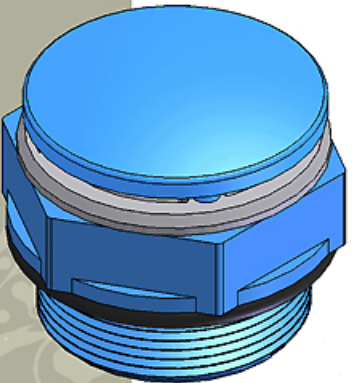
VACUUM BREAKER-ONLY VENTS



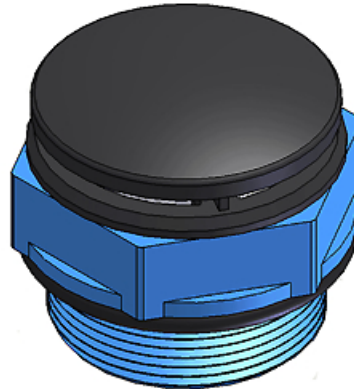
752 B
VACUUM BREAKER
WITH BUNA SEALS &
316 STAINLESS STEEL
SPRING



752 V
VACUUM BREAKER
WITH VITON SEALS &
316 STAINLESS STEEL
SPRING



752 EP
VACUUM BREAKER
WITH EPDM SEALS &
316 STAINLESS STEEL
SPRING



752 VH
VACUUM BREAKER
WITH VITON SEALS &
C276 HASTELLOY
SPRING

FUNCTIONAL SPECIFICATION:

- VACUUM PRESSURE TO OPEN < 0.5 PSI DIFFERENTIAL



LINN DERICKSON
PRODUCT LINE ENGINEER

Phone: 209-835-0296
Fax: 209-836-3592
E-mail: Ldotderickson@aol.com