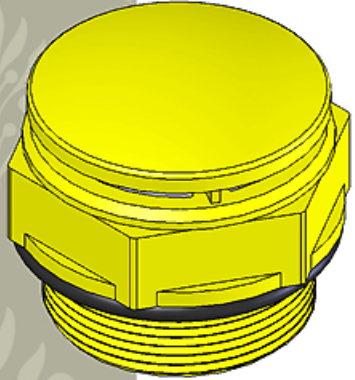


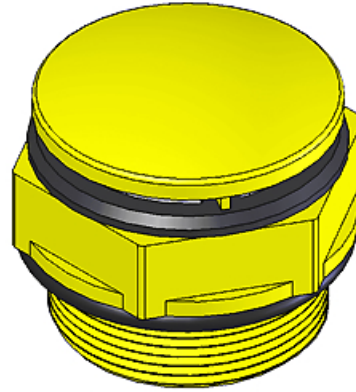


CUSTOM PLASTICS VENT VALVE COLOR SCHEMATIC

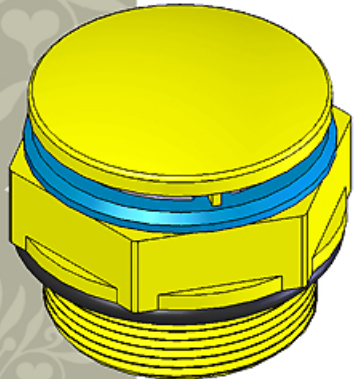
COMBINATION VENTS



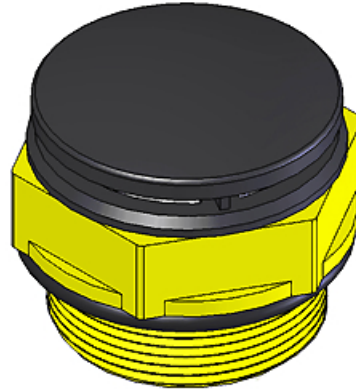
760
COMBINATION VENT
GENERAL PURPOSE



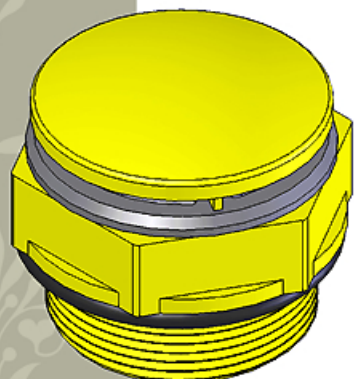
760 DOT-V
COMBINATION VENT
WITH VITON SEALS &
300-SERIES STAINLESS
STEEL SPRINGS



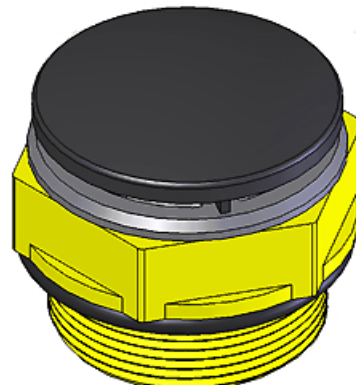
760 DOT-B
COMBINATION VENT
WITH BUNA SEALS &
300-SERIES STAINLESS
STEEL SPRINGS



760 DOT-VH
COMBINATION VENT
WITH VITON SEALS &
C276 HASTELLOY
SPRINGS



760 DOT-EP
COMBINATION VENT
WITH EPDM SEALS &
300-SERIES STAINLESS
STEEL SPRINGS



760 DOT-EPH
COMBINATION VENT
WITH EPDM SEALS &
C276 HASTELLOY
SPRINGS

FUNCTIONAL SPECIFICATION

- **VACUUM PRESSURE TO OPEN < 0.5 PSI (DIFFERENTIAL)**
- **NO DETECTABLE LEAK 3.0 PSI**
- **PRESSURE RELIEF 4.0 PSI**



LINN DERICKSON
PRODUCT LINE ENGINEER

Phone: 209-835-0296
Fax: 209-836-3592
E-mail: Ldotderickson@aol.com